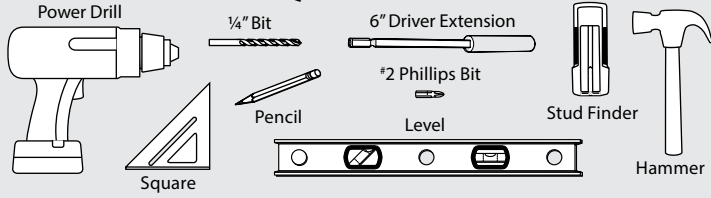




For complete installation information including videos to watch and learn visit: [organizedliving.com/installation/VUE](http://organizedliving.com/installation/VUE)

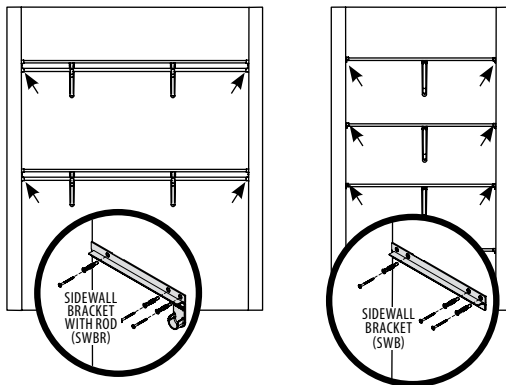
Watch and learn.  
Mira y aprende

## REQUIRED TOOLS

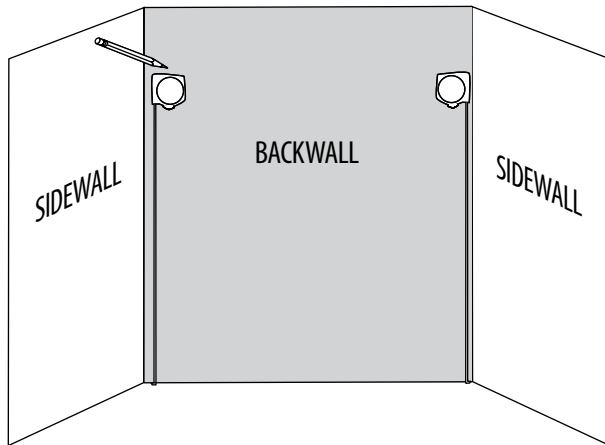


## INSTALL SIDEWALL BRACKET (SWB)

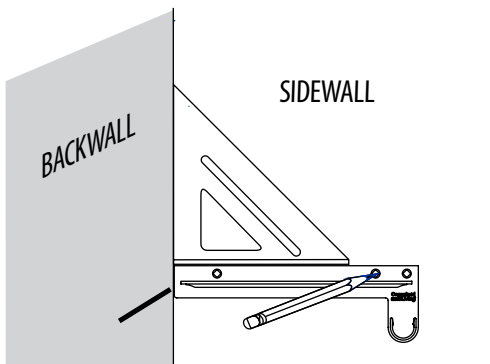
For detailed specific instructions please scan VUE installation QR code.



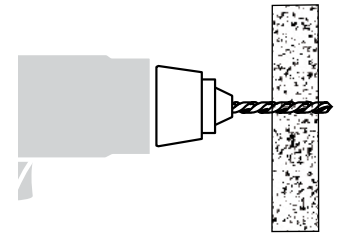
1. Review Closet Design to determine correct number and location of Sidewall Brackets (SWB).
2. Measure and mark correct height for Shelf (S) on backwall.



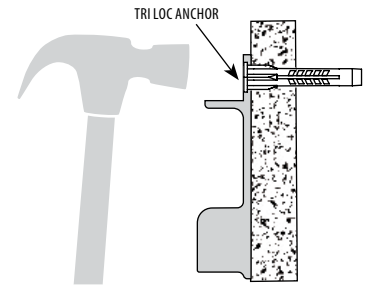
3. Align with marks and square Sidewall Bracket (SWBR) to backwall using VUE Shelf Bracket or square. Mark holes. Don't use a Level.



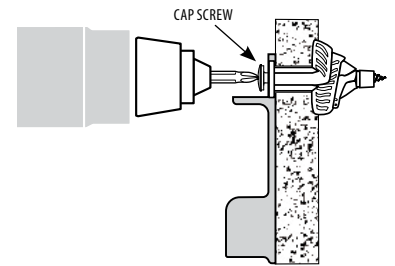
4. Drill marked holes with 1/4" Bit.



5. Tap Anchor through Sidewall Bracket.



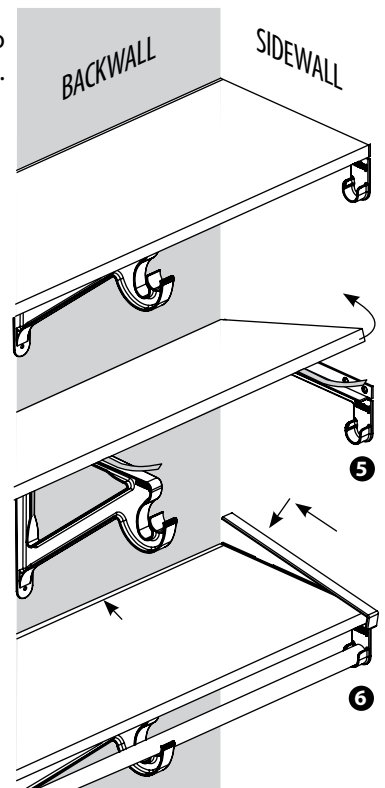
6. Run Screw in flush with #2 Bit. Then give drill a burst or 2 to pull up Anchor.



## INSTALL SHELF (S), GAP COVER (GC), AND SIDEWALL BRACKET COVER

For detailed specific instructions please scan VUE installation QR code.

1. Measure wall width. Cut Shelf (S) 1/2" shorter than wall width to accommodate Sidewall Bracket. If Gap Cover (GC) included, cut Gap Cover to 1 1/2" shorter than shelf width and place in position.
2. Position Shelf on Sidewall Brackets (SWBR).
3. Install Shelf Bracket (SB) if shelf width requires – See directions for installing Shelf Bracket on page 2.
4. Tilt Shelf up against backwall.
5. Peel-off backing from adhesive strips on Brackets.
6. Lower Shelf into position. Push back Gap Cover against backwall. Snap on Sidewall Bracket Covers.



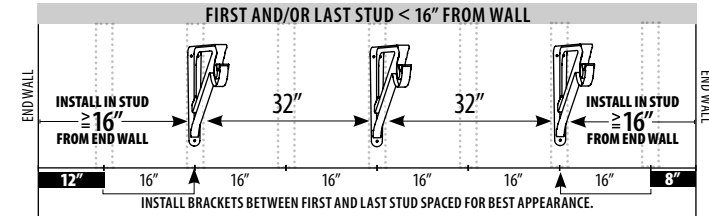
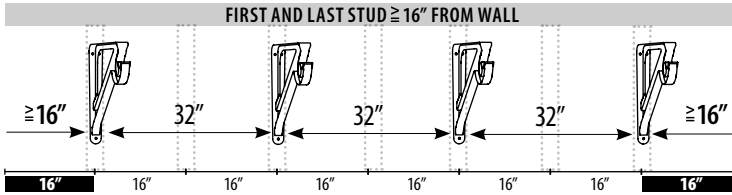
Watch and learn.  
Mira y aprende

For complete installation information including videos to watch and learn visit: [organizedliving.com/installation/VUE](http://organizedliving.com/installation/VUE)

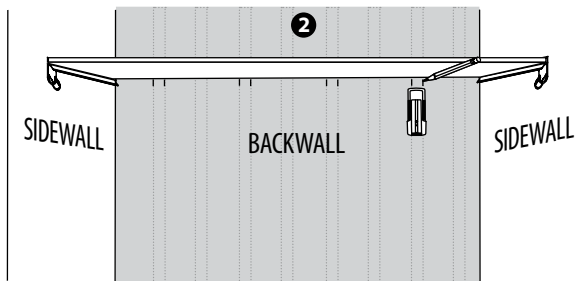
### INSTALL SHELF BRACKET (SB)

For detailed specific instructions please scan VUE installation QR code.

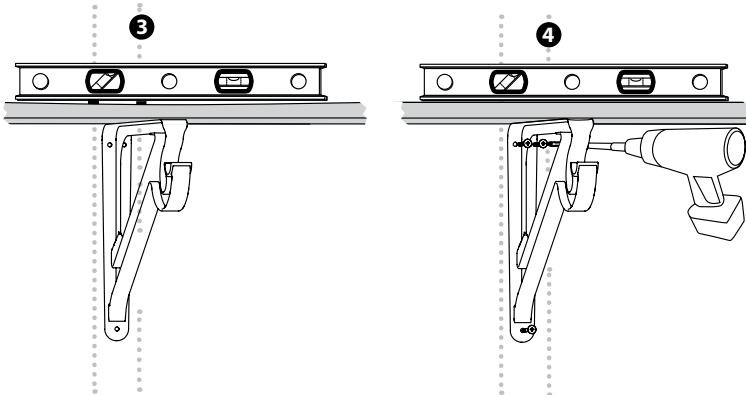
Every Bracket **MUST** be installed into a stud and placed no more than 32" apart. First and last Brackets **MUST** be installed between 16"-31" from end walls.



1. Review Closet Design to determine correct number and location of Shelf Brackets.
2. With Sidewall Brackets (SWB) and cut Shelf in place, work left to right to locate and mark left and right edges of first stud  $\geq 16"$ . Continue marking every other stud.

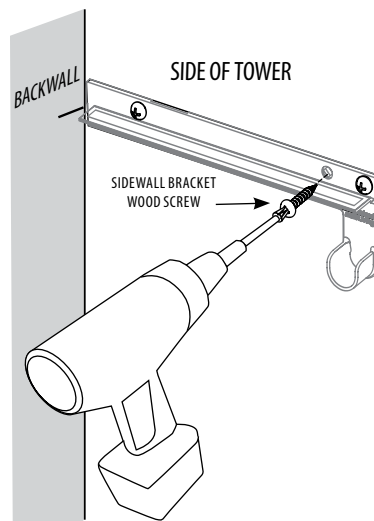
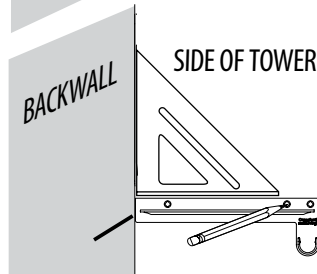
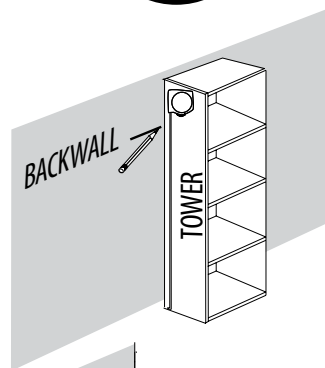
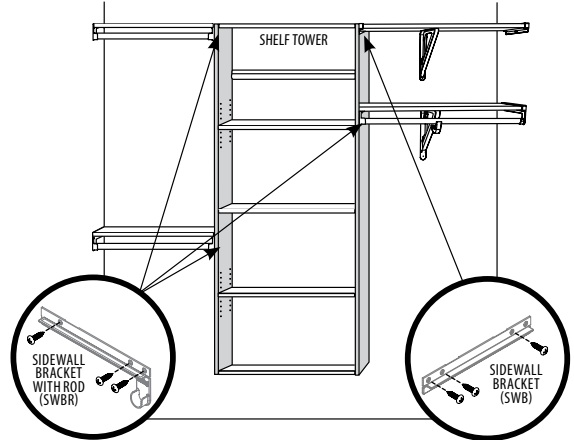


3. Place Shelf Bracket (SB) between edges of each marked stud. Slide Bracket up until Shelf (S) is straight and level.
4. With Shelf straight and level, use #2 Bit and Driver Extension to drive 3 Cap Screws thru Bracket into stud.
5. Press Screw Caps over screw heads until caps snap in place.



### INSTALL SHELF (S) TO TOWER

For detailed specific instructions please scan VUE installation QR code.



1. Review Closet Design to determine correct number and location of Shelves that butt against Tower.
2. After Tower is assembled and hung on backwall, measure and mark correct height for Shelf (S) on backwall.

3. Align with marks and square Sidewall Bracket to backwall using VUE Shelf Bracket or Square. Mark holes. Don't use a Level.

4. Run a Sidewall Bracket Wood Screw into Tower through square holes on Sidewall Bracket (SWB). Adjust drill clutch to avoid stripping screw hole.
5. Add Shelf (S) and Bracket Covers (BC) using instruction section **INSTALL SHELF (S), GAP COVER (GC), BRACKET COVER** on PAGE 1 of this guide.



For complete installation information including videos to watch and learn visit: [organizedliving.com/installation/VUE](https://organizedliving.com/installation/VUE)

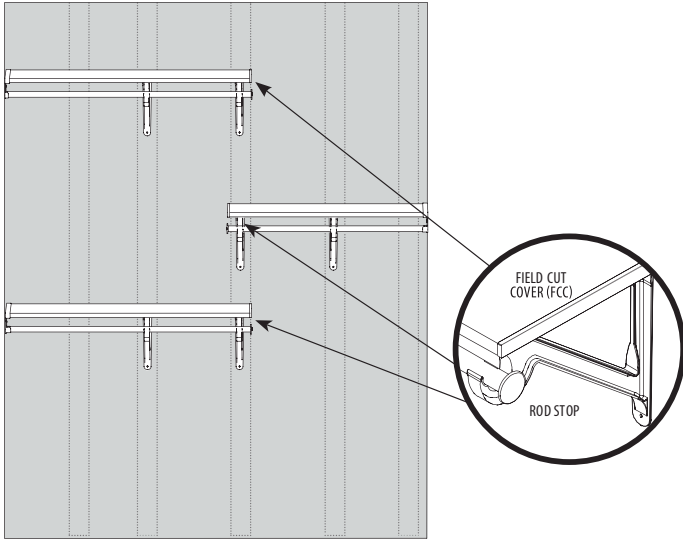
**INSTALL OPEN ENDED SHELVES**

For detailed specific instructions please scan VUE installation QR code.

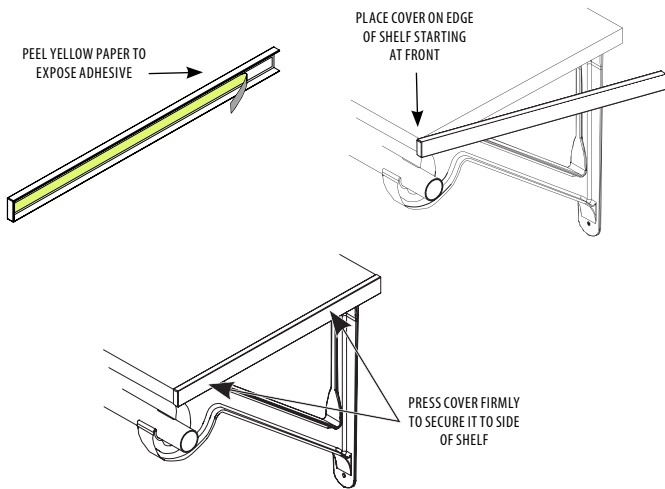
Every Bracket **MUST** be installed into a stud and placed no more than 32" apart. First and last Brackets **MUST** be installed between 16"-31" from end walls.

1. Review Closet Design to determine correct number and location of Shelf Brackets.
2. Follow the same stud location and Bracket placement rules. Most importantly, all shelf brackets must be installed into a stud.

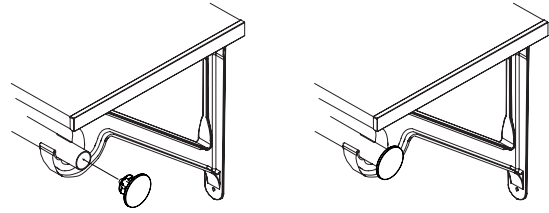
72" REACH IN WALL TO WALL - DOUBL E HANG/ LONG HANG



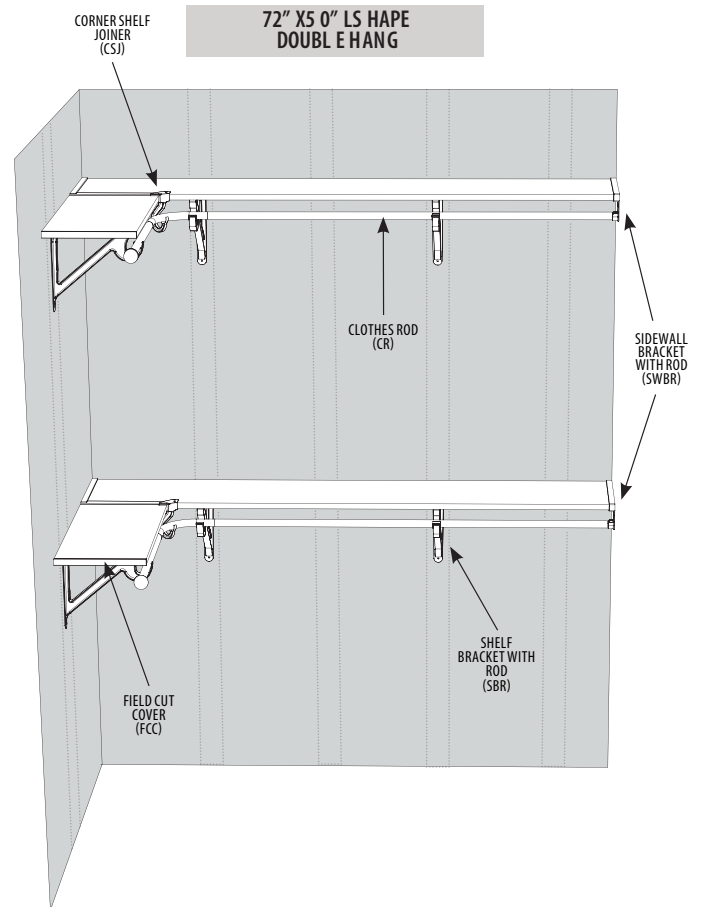
3. The max overhang on an open end is 8".
4. Once the shelf is secured into place, add a field cut cover to the cut end. Peel off the yellow paper and firmly press the cover onto the exposed end. Make sure the cover is properly aligned with the front of the shelf.



5. Add the chrome rod stop by pressing it into the open end of the clothes rod. Turn the rod stop until it is tight and secured into place.



6. When installing an L shape layout, follow the same rules.
  - a.) Brackets **MUST** hit a stud.
  - b.) Max shelf over hang is 8".
  - c.) At least 2 support location per shelf.



**Contact Us.**

Phone: 1-888-674-5484 8 am-5 pm EST Mon-Fri.  
 Email: customerservice@organizedliving.com  
 organizedliving.com/installation

